

Inquiry Data Sheet

Company name
Street/Postbox-number
Postcode/City
Phone
Fax
Contact person

Your contact person:

Dipl. Ing. Stefan Schwock
 s.schwock@kostyrka.com
 Telefon 0711 - 8 87 10-28
 Fax 0711 - 8 87 10-20

What part is to be clamped?

 There are only axial forces.

 Torque is transmitted.

Maximum axial force

Maximum torque

Traversing speed

r.p.m.

Distance of travel

General information:

What clamping pressure is available, and how is it produced?

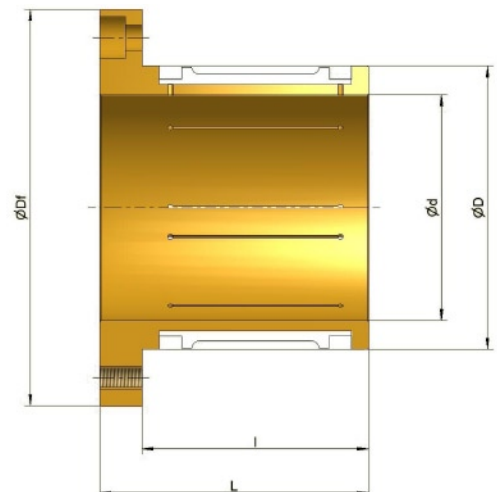
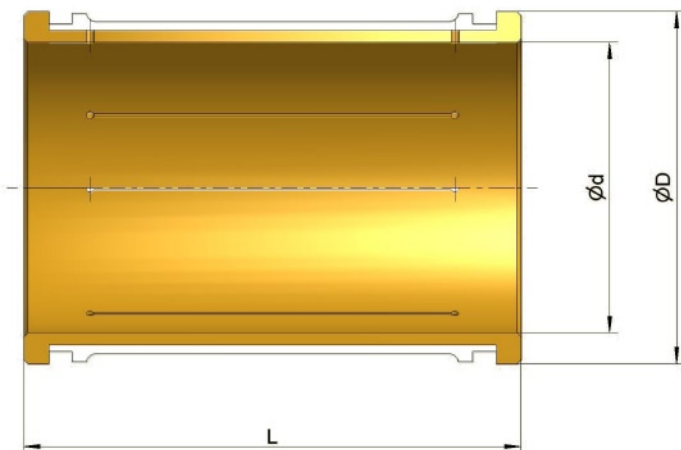
Frequency and duration of clamping?

Minimum and maximum operation temperature?

Is lubrication provided? If so, of what type?

What pressure medium is used?

Please add the desired base sizes to the sketch.



Is a drawing of the fitting location available? If so, please include it!