

CHECKLIST FOR YOUR ENQUIRY.

CLAMPING SLEEVE WITH OR WITHOUT FLANGE RING.

Company
Street / PO Box
Postal code / town
Phone
Fax
E-mail
Contact partner

Please contact:

KOSTYRKA GmbH
 Dieselstraße 6
 70839 Gerlingen · Germany
 Konstruktion@kostyrka.com
 Telefon: +49 (0) 7156 - 1 76 73-28
 Telefax: +49 (0) 7156 - 1 76 73-30

Which component is to be clamped?

Only axial forces arise.

- Maximum axial force

- Travel speed

- Length of the travel path

Torques are transmitted

- Expected torque

- Speed (rpm)

General information

What clamping pressure is available?

How is it generated?

Is there residual pressure in the system?

Frequency and duration of the clamping operations

Minimum and maximum operating temperature

Is there lubrication?

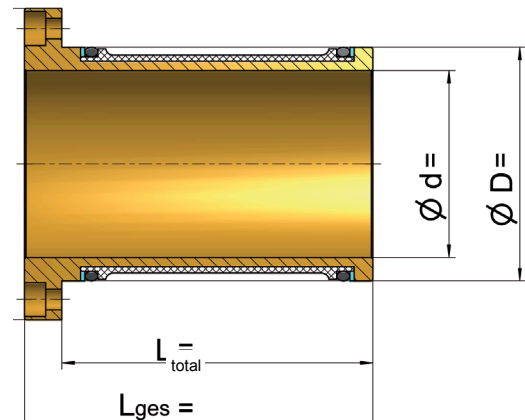
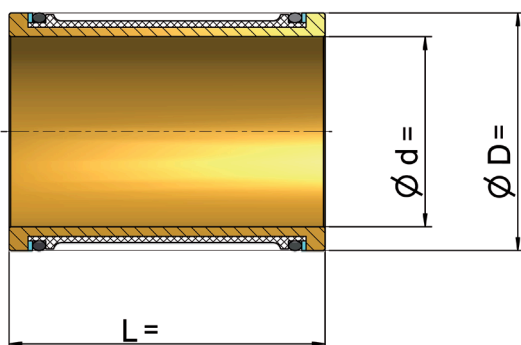
If so, what type?

What pressure medium is used?

Do you require a complete clamping unit?

Enter the desired dimensions in the diagram!

Please send the brochure „Design, integration, operation and maintenance of hydraulic clamping sleeves“



If there is already a drawing of the installation situation, please enclose a copy with the enquiry.